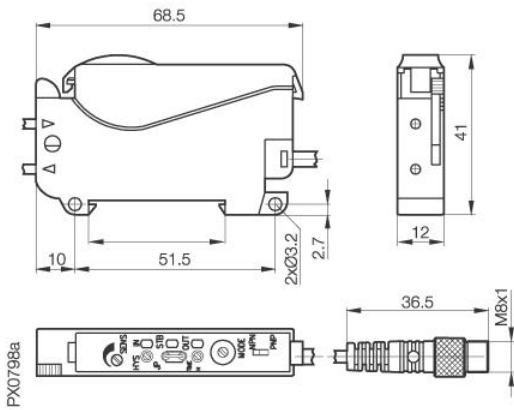


Photoelectric Sensor
BOS 74K-UU-1FS-BO-Z-02
Sn=mm
Basic Unit for Fibre optic



Common Data

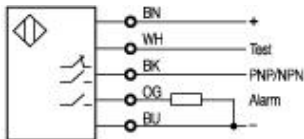
Series	74k
Sensortype	Basic Unit for Fibre optic
Switching frequency	10000 Hz
assured operating distance Sa	belonging to Fibre optic
Indication Supply Voltage	yes
Indication Switching element on	yes
Indication Special funktion	Adjustment help
Ambient temperature	-10...+60°C
On-delay	<50 µs
Off-delay	<500 µs
Light	Red light
Sensitivity Adjustment	Poti
Blind zone / min Reflector distance	belonging to Fibre optic
Special funktion function	Stabilization indicator/Time
Permissible ambient light	5000 Lux
Output funktion	light-on or dark-on

Mechanical Data

Measurements	68,5x41x12
Housing material	PBTB
Degree of protection	IP66
Connection	Cable
Type of Cable	PVC

Electrical Data

Current	DC
Switching funktion	NO/NC
Output	PNP/NPN
Rated operational voltage Ue	24V DC
Rated operational current Ie	100mA
Supply Voltage	10...30V DC
Ripple	< 10% from UB
Frequency of Supply Voltage	DC
No-load supply current	<50mA
Voltage drop	<2,5V
Short protection	yes
Protected against polarity reversal	yes
Rated insulation voltage	75VDC
max. Load capacity	0,05µF



Utilization categories
 Insulation class

Datasheet number:

Definitions see general catalog.
 If not otherwise noted, ratings according to
 IEC 60947-5-2 (DIN EN60947-5-2)

Balluff GmbH
 Schurwaldstrasse 9
 73765 Neuhausen a.d.F.
 Phone (07158) 173-0 Fax (07158) 5010

Datenblatt by CD-ROM - 04/2007

BALLUFF
 sensors worldwide